



MASTER LEDspot LV AR111

MAS LED SpotLV 20-100W 930 AR111 40D

Delivering a warm, halogen-like accent beam, MASTER LEDspot LV AR111 is an ideal retrofit solution for spot and general lighting applications in the hospitality and retail industry. It is particularly suitable for general lighting where the light is on all the time, such as creative accent lighting applications in shops, restaurants, hotels, and especially for galleries, exhibitions and museums. The robustly designed MASTER LEDspot LV AR111 offers various beam angles for a clearly defined beam spread. There is no UV or IR in the beam, making it suitable for illuminating heat-sensitive objects (food, organic materials, paintings, etc.). The patented intelligent driver enables broad compatibility with existing electromagnetic and electronic halogen transformers. MASTER LEDspot LV AR111 delivers huge energy savings and minimises maintenance cost without any reduction in brightness.

Product data

General Information	
Lighting Technology	LED
Switching Cycle	50,000
Nominal lifetime	25,000 hour(s)
Cap-Base	G53 [G53]
Light Technical	
Color Code	930 [CCT of 3000K]
Beam Angle (Nom)	40 degree(s)
Luminous Flux	1,250 lumen
Luminous Intensity (Nom)	2,000 cd
Color Designation	White (WH)
Correlated Color Temperature (Nom)	3000 K
Luminous Efficacy (rated) (Nom)	62.00 lm/W

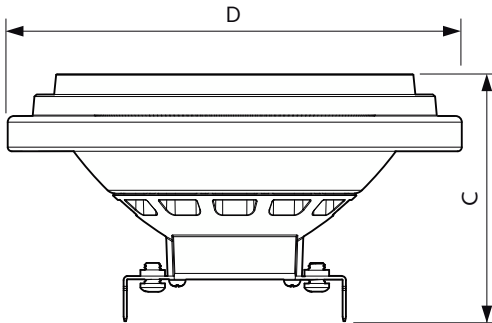
Color Consistency	<4
Color rendering index (CRI)	91
LLMF At End Of Nominal Lifetime (Nom)	70 %
Operating and Electrical	
Line Frequency	- Hz
Input Frequency	- Hz
Power Consumption	20 W
Lamp Current (Nom)	2,400 mA
Wattage Equivalent	100 W
Starting Time (Nom)	0.5 s
Warm-up time to 60% light	0.5 s
Power Factor (Fraction)	0.7

MASTER LEDspot LV AR111

Voltage (Nom)	ac electronic 12 V
Temperature	
T-Case Maximum (Nom)	80 °C
Controls and Dimming	
Dimmable	Yes
Mechanical and Housing	
Bulb Shape	AR111
Approval and Application	
Suitable For Accent Lighting	Yes
Energy Consumption kWh/1000 h	22 kWh

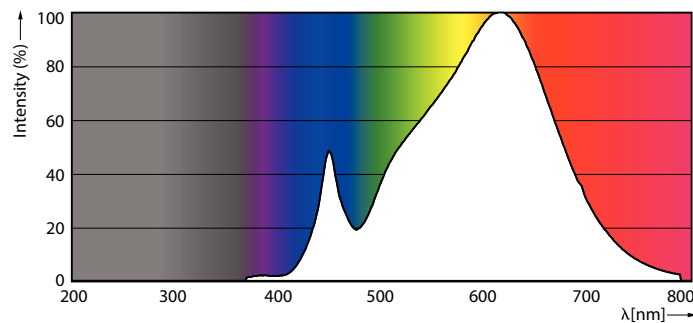
EU RoHS compliant	Yes
Product Data	
Full product code	871869969079300
Order product name	MAS LED SpotLV 20-100W 930 AR111 40D
Order code	929002240208
Numerator - Quantity Per Pack	1
Numerator - Packs per outer box	6
Material number (12NC)	929002240208
Full product name	MAS LED SpotLV 20-100W 930 AR111 40D
EAN/UPC - Case	8718699690809

Dimensional drawing

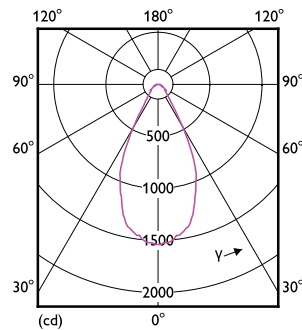


Product	D	C
MAS LED SpotLV 20-100W 930 AR111 40D	111 mm	62 mm

Photometric data



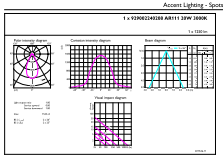
Spectral Power Distribution Colour - MAS LED SpotLV 20-100W 930 AR111 40D



Light Distribution Diagram - MAS LED SpotLV 20-100W 930 AR111 40D

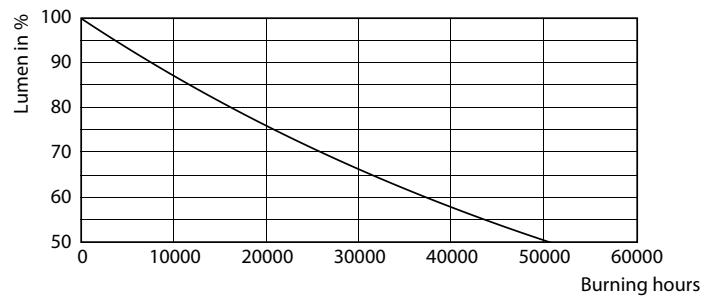
MASTER LEDspot LV AR111

Photometric data



Accent Lighting Spots - MAS LED SpotLV 20-100W 930 AR111 40D

Lifetime



Life Expectancy Diagram - MAS LED SpotLV 20-100W 930 AR111 40D

Lumen Maintenance Diagram - MAS LED SpotLV 20-100W 930 AR111 40D

