

**Walldim103E1**

**Product Features**

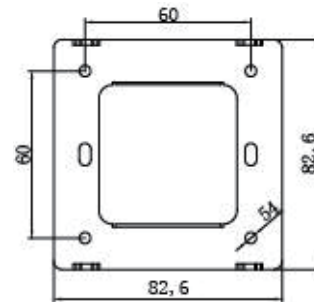
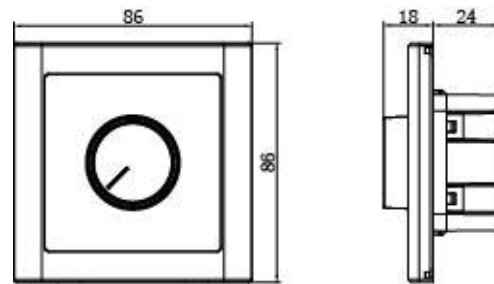
- Suitable for 1-10V LED dimming driver with passive signal support
- Installation in the European and domestic electrical box
- Can switch off the signal and power supply at the same time
- ABS material, high flame retardant
- Fashion, and easy to use
- Used in the study, bedroom, restaurant, bars and other places need dimming control



**Technical Parameters**

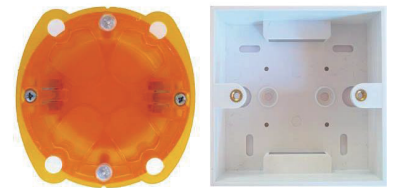
Model	Walldim103E1
Output	Variable resistance signal
Control output load capacity	Max. 20 mA
Switching output load capacity	Max. 6 A resistive load
Type	Passive dimmer
Panel color	Ivory-white
Panel size	86*86*42mm(W*H*D)
Packing size	104*104*52mm(W*H*D)
G.W.	140g
Working temp.	-10-55°C
Relative humidity	20-90% RH

**Dimension(mm)**

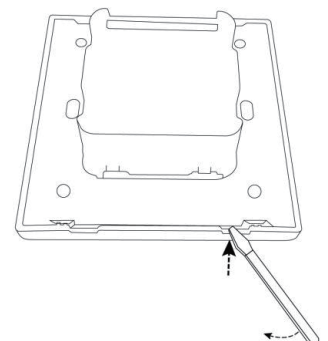


**Installation Guide**

1. Mount an electrical box inside the wall



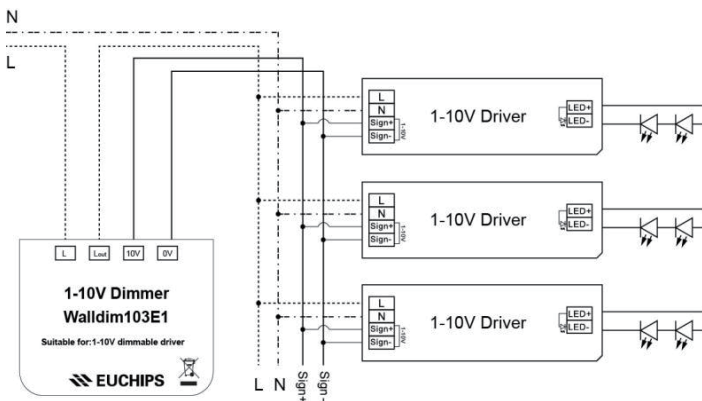
2. To separate the panel and the back cover of the controller with a screwdriver along the gap of the back cover.



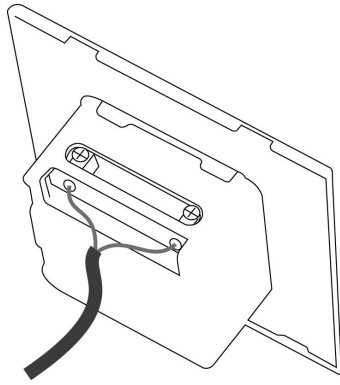
**Function Description**

[1.Turn the knob clockwise , after hear the 'click' sound , the knob signal is turned on ,continue to adjust the knob ,the brightness of light varies from minimum to maximum. Turn the knob by counter-clockwise, the brightness of light varies from maximum to minimum ,continue to adjust the knob , after hear the 'click' sound, the knob signal is closed.

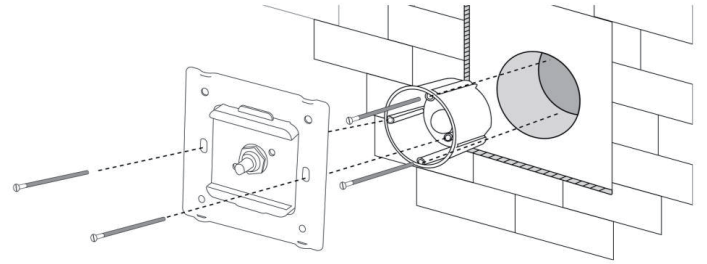
**Wiring Diagram**



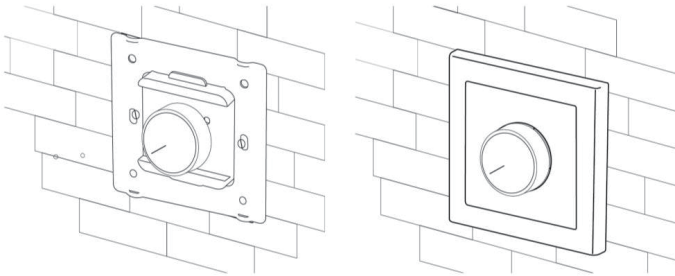
3. Connect the wires according to the "Wiring Diagram"



4. To put the back cover on the electrical box and fix it with the screw.



5. To buckle the glass panel to the bottom box.



#### Caution

1. Connect the load wire at first, then connect the power wire; Please ensure short circuit can not occur between wires before you turn on the power.
2. Please check the input voltage and frequency range, it may burn out the dimmer once exceed the voltage or frequency range.