

EUP12T-1W12V-1 (Product No.: 104200021201)

Product Feature

- Single-channel constant voltage output, 12ADC
- Support Leading edge (Triac) and Trailing edge (ELV) Dimmer
- Dimming range from 40VAC to 240V AC
- Dimming effect smooth, no flicker
- Over power protection; Over voltage protection
- Suitable for indoor LED lighting application



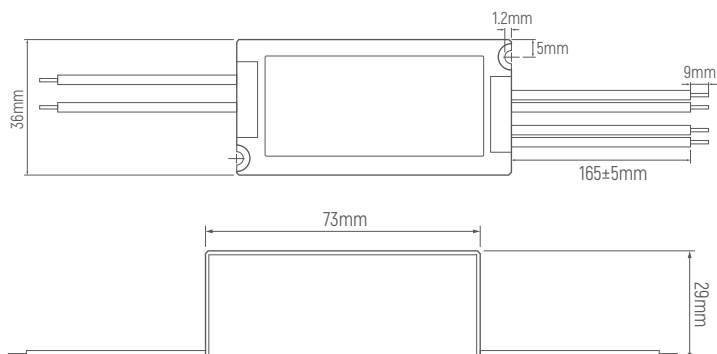
Application



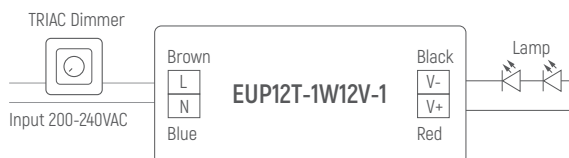
Technical Parameters

Model	EUP12T-1W12V-1	
Input	Efficiency	77%@230VAC, Full load
	Voltage	200VAC-240VAC
	Frequency	50/60Hz
	Current	0.13Amax@230VAC, Full load
	Dimming voltage range	40-240VAC
	Inrush Current	12A @230VAC
Output	Current/Voltage/Power	1A/12VDC/12W
	Ripple Current	120mVp-p
	Channel	1
	Voltage Tolerance	±3%
	Turn On Delay Time	<1s, at 230Vac
Function	Dimming Mode	Triac ELV
Protection	Over Power	Hiccup mode, recovers after fault condition is removed
	Over voltage	Close output, recovers after fault condition is removed
Others	Working Temp.	-20°C~40°C
	Storage Temp.; Humidity	-40°C~85°C, 20-90%RH
	Tc	75°C
	Material	PC
	IP Rating	IP20
	Lifetime	30,000h@tc:75°C
	Warranty Condition	3 years
	Switch Cycle	>15,000 times
	Packing Size	Net weight: 85g±5%/PCS; 100PCS/Carton; 9kg±5%/Carton; Carton Size: 388*265*219mm[L*W*H]
	Dimension	73*36*29mm[L*W*H]

Dimension(mm)



Wiring Diagram



Note: For capacitive load, the larger inrush current will reduce the service life of the electrolytic capacitor. Before using this product, please contact the relevant technical personnel to match and verify.

※ The contents of this manual are updated without prior notice. If the function of the product you are using is inconsistent with the instructions, the function of the product shall prevail. Please contact us if you have any questions.