

LED IP20 PRO CONSTANT CURRENT CURRENT SELECTOR PHASE CUT GEN.2 DRIVERS



Highlights:

- IP20 Constant Current with phase cut dimming drivers
- Input Vol./Fre: 220-240V 50/60Hz
- Long lifetime up to 50k hrs@tc max
- Wattages: 12W/20W/30W
- SELV and suitable for both build-in and independent applications
- Class II

Application Areas:

- Shops
- Residential
- Exhibition halls
- Showrooms
- Offices

Advancing Light

LEDVANCE is one of the World's leaders in general lighting for lighting professionals as well as end users, offering



A broad variety of LED luminaires



Advanced LED lamps



Intelligent, networked Smart Home & Smart Building solutions



Traditional light sources



LED IP20 PRO PHASE CUT CONSTANT CURRENT GEN.2 DRIVERS



Product Features:

- IP20 Constant current with phase cut dimming LED driver
- Wattage: 12W/20W/30W
- Currents adjust via DIP switch:
12W, 120/150/180/220/250/300mA
20W, 250/300/350/400/450/500mA
30W, 450/500/550/600/650/700mA
- Frequency: 50/60Hz
- Long lifetime up to 50k hrs@tc max
- SELV and suitable for both build-in and independent applications via cable clamp
- Class II

Product Benefits:

- Long lifetime to reduce the maintenance cost
- High Power factor
- Low ripple current with flicker free
- More compact and small housing design
- SELV system
- Dimmable by leading or trailing edge phase cut control



Application Areas:

- Shops
- Residential
- Supermarket
- Hotel
- Offices



Product Information

LED IP20 PRO CC CS PC GEN.2 Drivers	12W	20W	30W
Model Name	LVED PRO 12/220-240/300 CS PC	LVED PRO 20/220-240/500 CS PC	LVED PRO 30/220-240/700 CS PC
Rated Input Voltage	220-240VAC	220-240VAC	220-240VAC
Frequency	50/60Hz	50/60Hz	50/60Hz
Input Current	0.07A	0.11A	0.15A
Input Wattage	Max.15.6W	Max.25W	Max.34.5W
Power Factor	≥ 0.95 @full load	≥ 0.95 @full load	≥ 0.95 @full load
No-Load Wattage	≤1W	≤1W	≤1W
Power loss for Driver	3W	4W	5.1W
THD	< 15% @full load	< 15% @full load	< 15% @full load
Max. output Power	12.6W	21W	29.4W
Output Power Range	3-12.6W	6.25-21W	11.25-29.4W
Output Voltage	25-42V _{DC}	25-42V _{DC}	25-42V _{DC}
Output Current	120/150/180/220/250/300mA	250/300/350/400/450/500mA	450/500/550/600/650/700mA
Output Current Tolerance	±5%*	±5%*	±5%*
Output Current Ripple(LF)	≤5%	≤5%	≤5%
Efficiency	≥78% @full load	≥84% @full load	≥84% @full load
Dimmable Feature	Y	Y	Y
Dimming Type	Phase cut	Phase cut	Phase cut
Dimming Range	Depends on dimmer type		
Surge (L-N)	1kV	1kV	1kV
Protection	Overload protec. /Short-circuit protec. /No-load protec. /Over temperature protec.		
Protection Class	Class II	Class II	Class II
IP Rating	IP20	IP20	IP20
ta	-20-50°C	-20-50°C	-20-50°C
tc	75°C	75°C	80°C
Lifetime	50000hrs @tc max	50000hrs @tc max	50000hrs @tc max
Housing material	Polycarbonate (PC)	Polycarbonate (PC)	Polycarbonate (PC)
Dimension(mm)	97*40*27(w/o cable clamp) / 146*40*27(w cable clamp)		
Weight	80g(w/o)/98g(w)	98g(w/o)/116g(w)	119g(w/o)/137g(w)
Connection	Ternimal	Ternimal	Ternimal
Certification	CB,EMC,ROHS	CB,EMC,ROHS	CB,EMC,ROHS

* When setting the current to lowest level by DIP switch, the output current tolerance is within 10%.

Product Information

Output Current Setting Table*

LVED PRO 12/220-240/300 CS PC

PIN1	PIN2	PIN3	Vo [V]	I _{rated} [mA]	P _{max} [W]
--	--	--	25-42	120	5.0
ON	--	--	25-42	150	6.3
--	--	ON	25-42	180	7.5
ON	--	ON	25-42	220	9.2
--	ON	ON	25-42	250	10.5
ON	ON	ON	25-42	300	12.6

LVED PRO 20/220-240/500 CS PC

PIN1	PIN2	PIN3	Vo [V]	I _{rated} [mA]	P _{max} [W]
--	--	--	25-42	250	10.5
--	--	ON	25-42	300	12.6
--	ON	--	25-42	350	14.7
ON	ON	--	25-42	400	16.8
--	ON	ON	25-42	450	18.9
ON	ON	ON	25-42	500	21.0

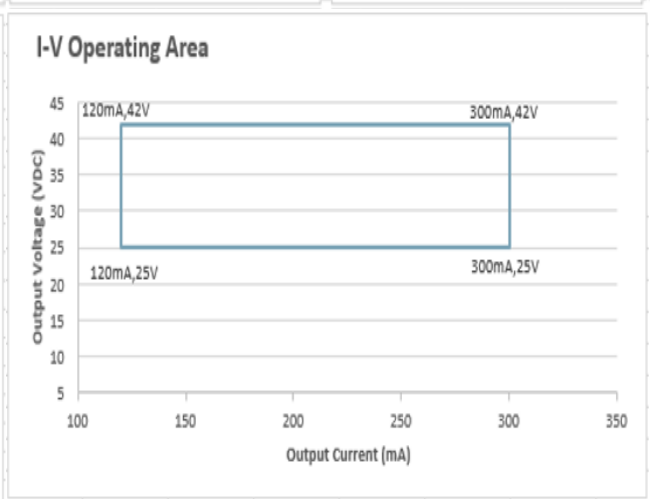
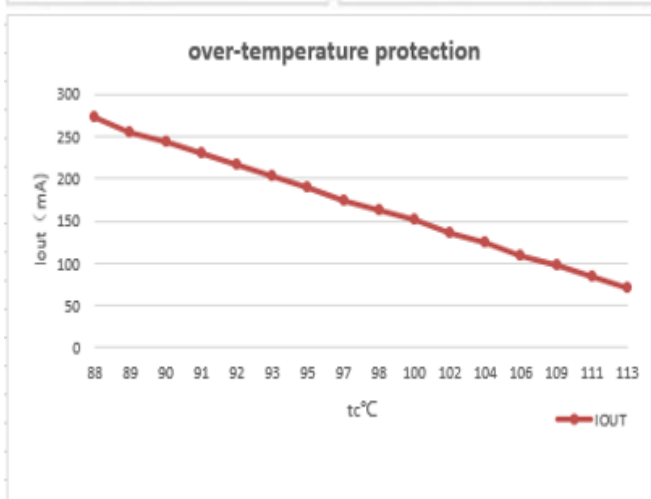
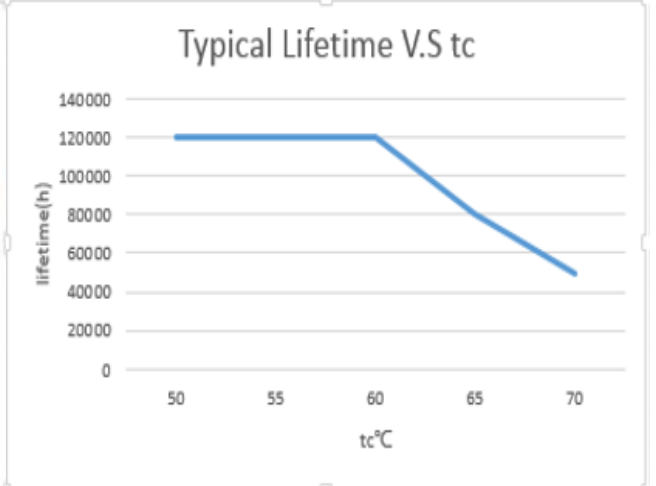
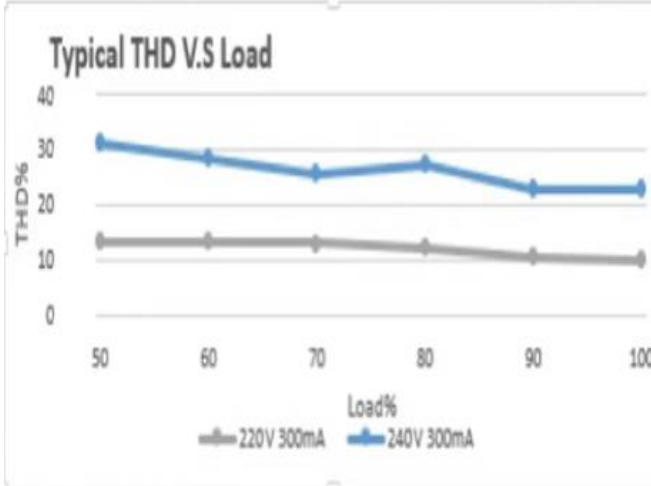
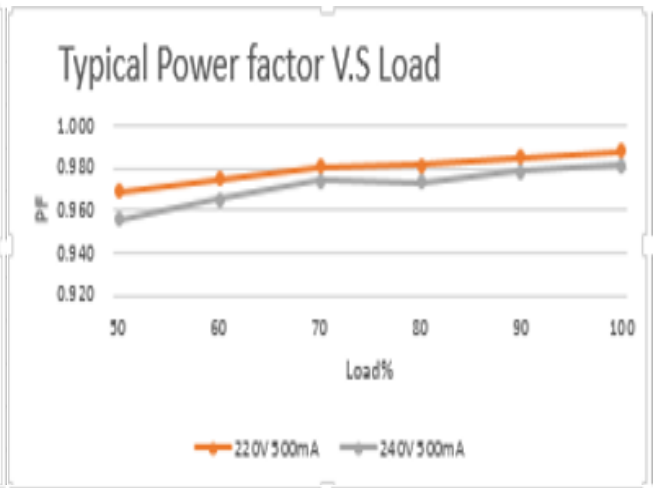
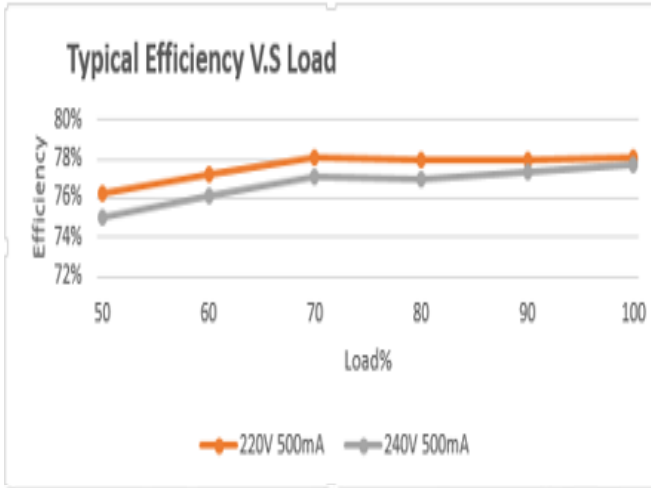
LVED PRO 30/220-240/700 CS PC

PIN1	PIN2	PIN3	Vo [V]	I _{rated} [mA]	P _{max} [W]
--	--	--	25-42	450	18.9
--	--	ON	25-42	500	21.0
--	ON	--	25-42	550	23.1
ON	ON	--	25-42	600	25.2
--	ON	ON	25-42	650	27.3
ON	ON	ON	25-42	700	29.4

*Dip Switch default output current is max. current.

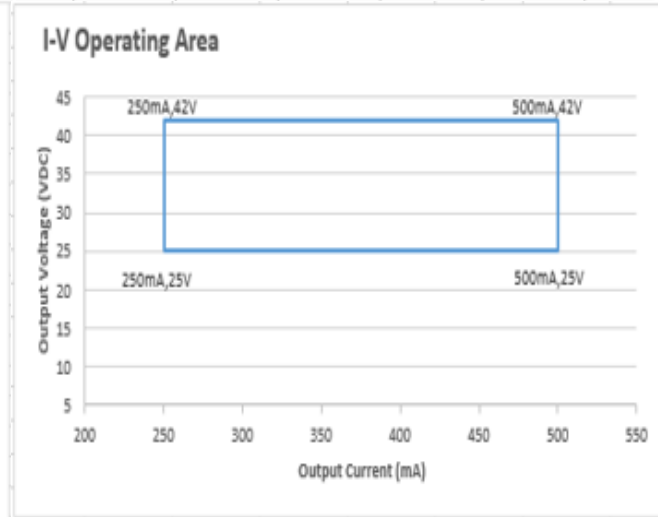
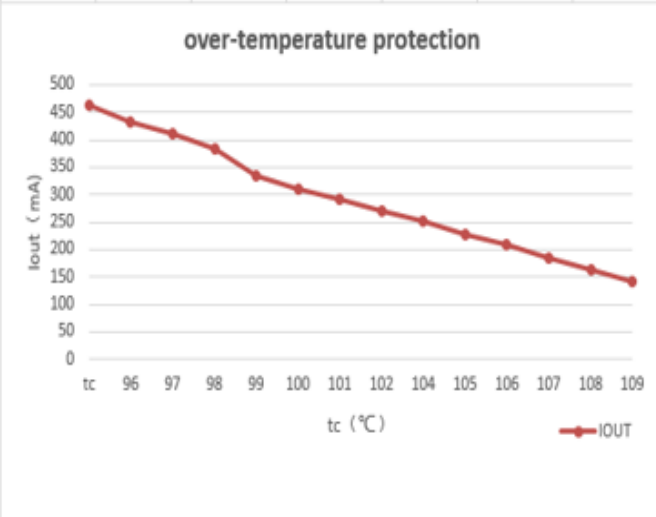
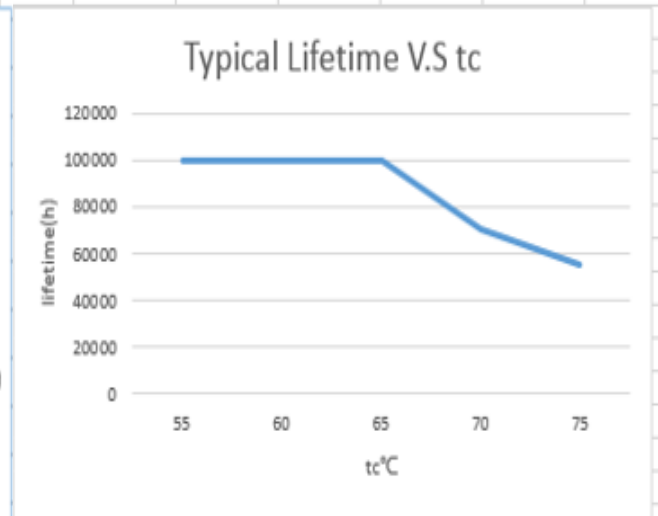
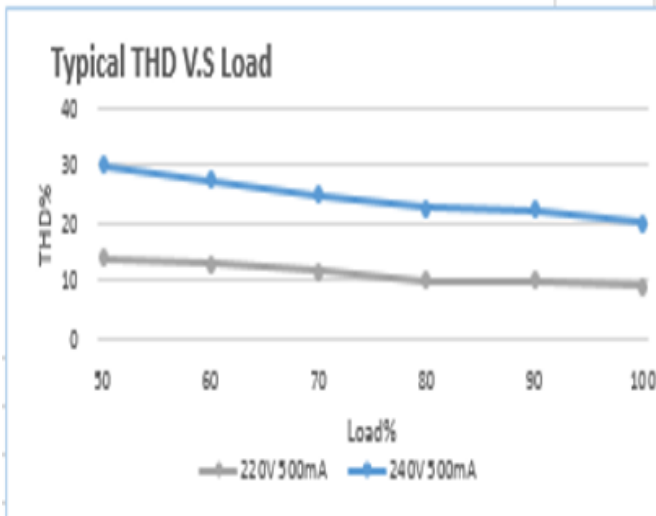
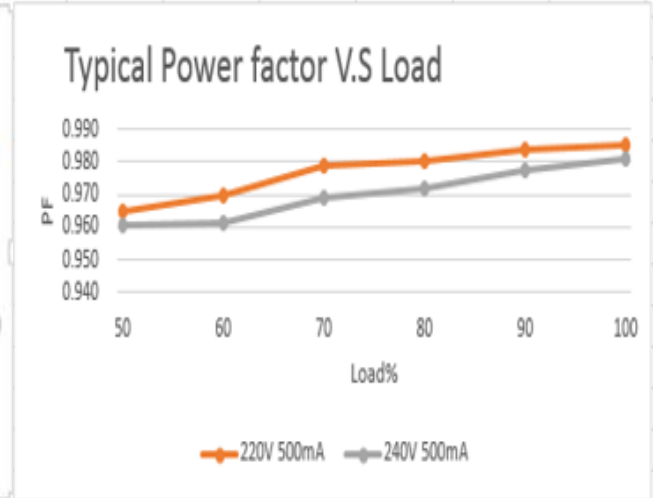
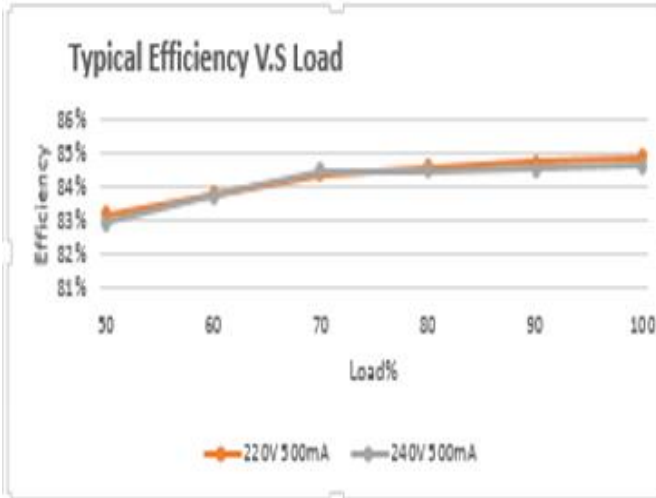


CURVES— LVED PRO 12/220-240/300 CS PC



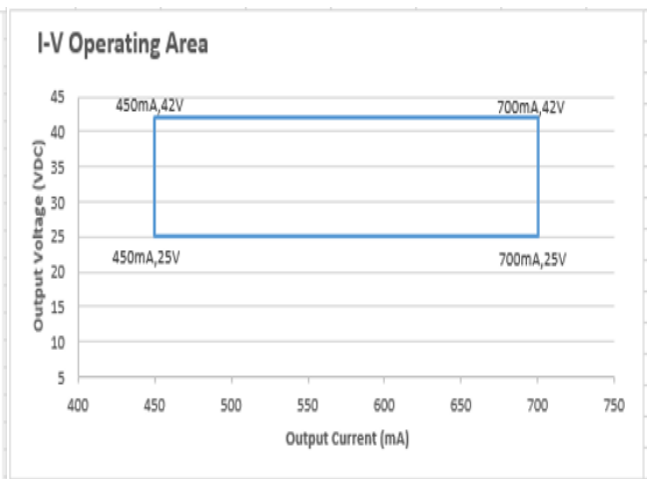
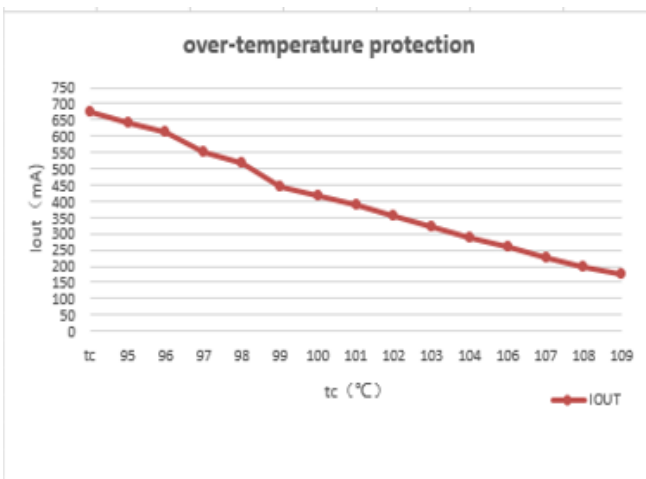
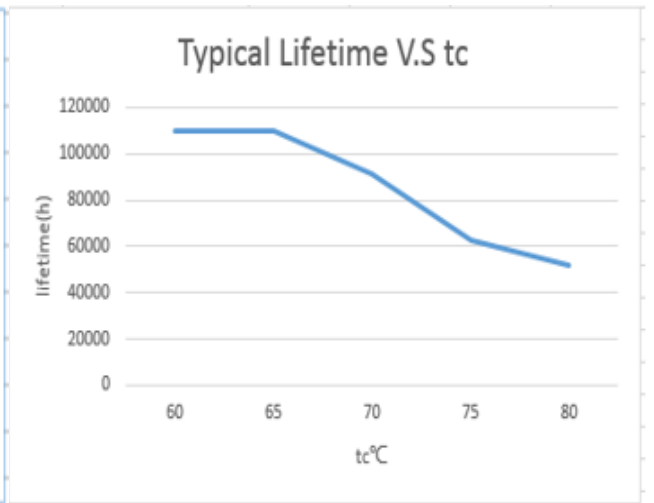
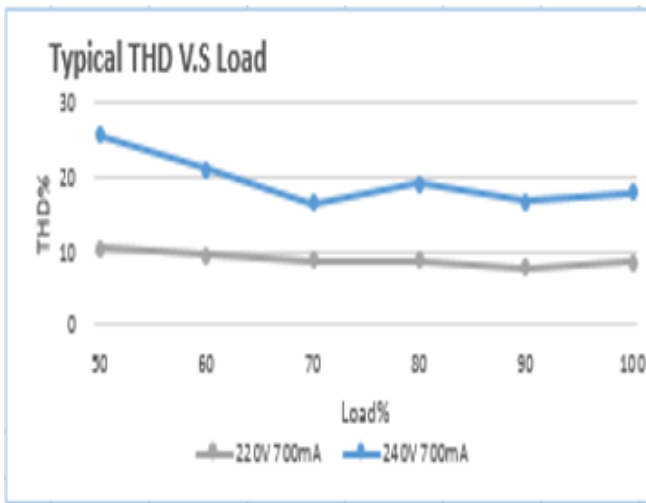
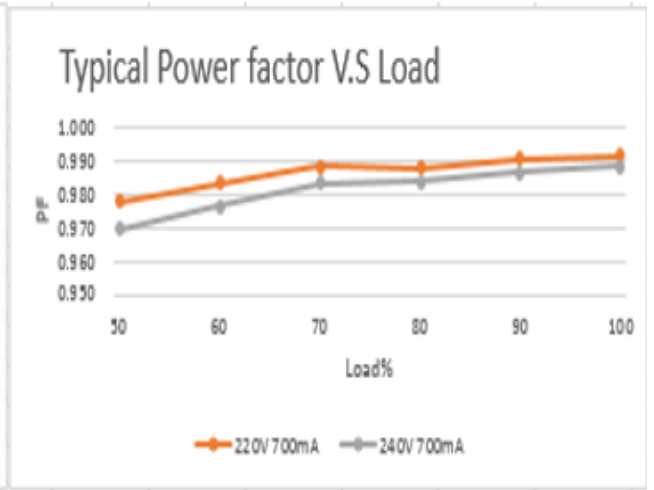
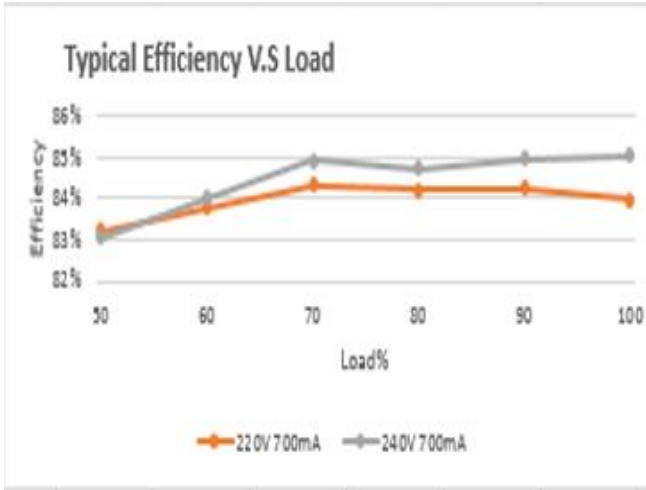


CURVES— LVED PRO 20/220-240/500 CS PC





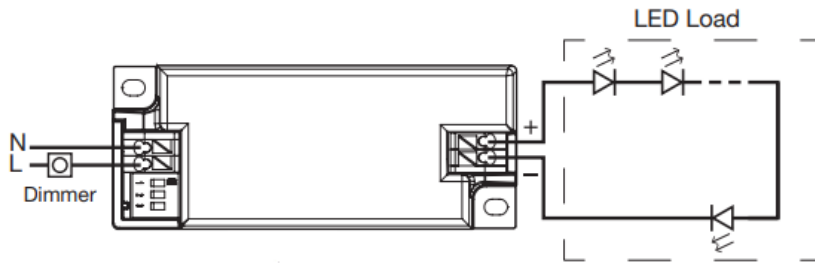
CURVES— LVED PRO 30/220-240/700 CS PC





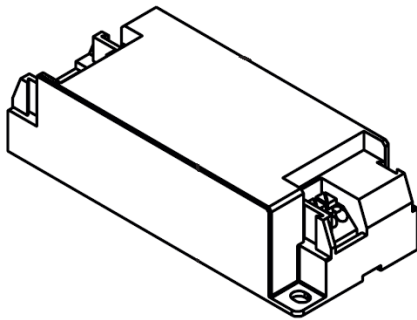
Drawing/Dimensions

Wiring

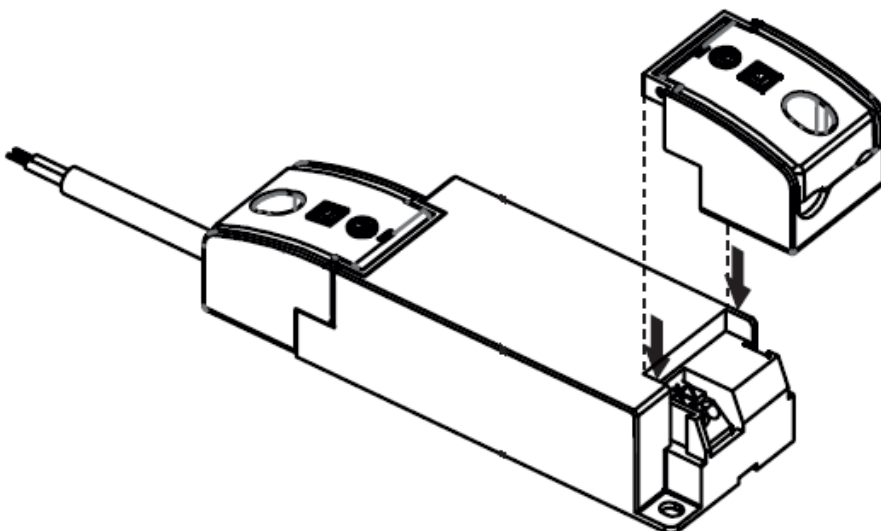


Max. length of output wires is 2m. All connections must be kept as short as possible to ensure EMI performance.

Original housing without cable clamp for build-in application



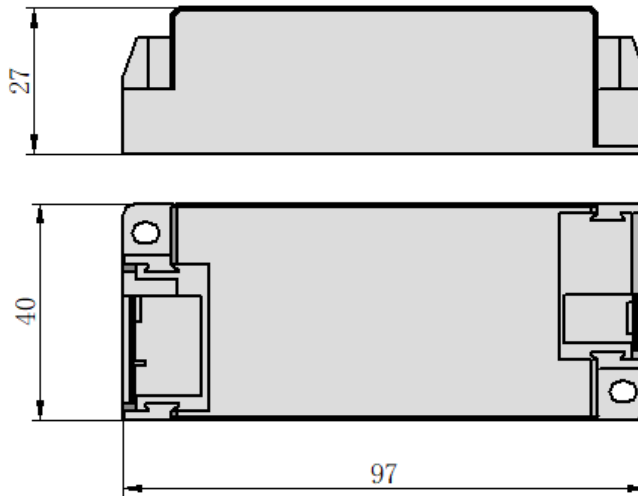
Assemble the cable clamp accessory for independent application



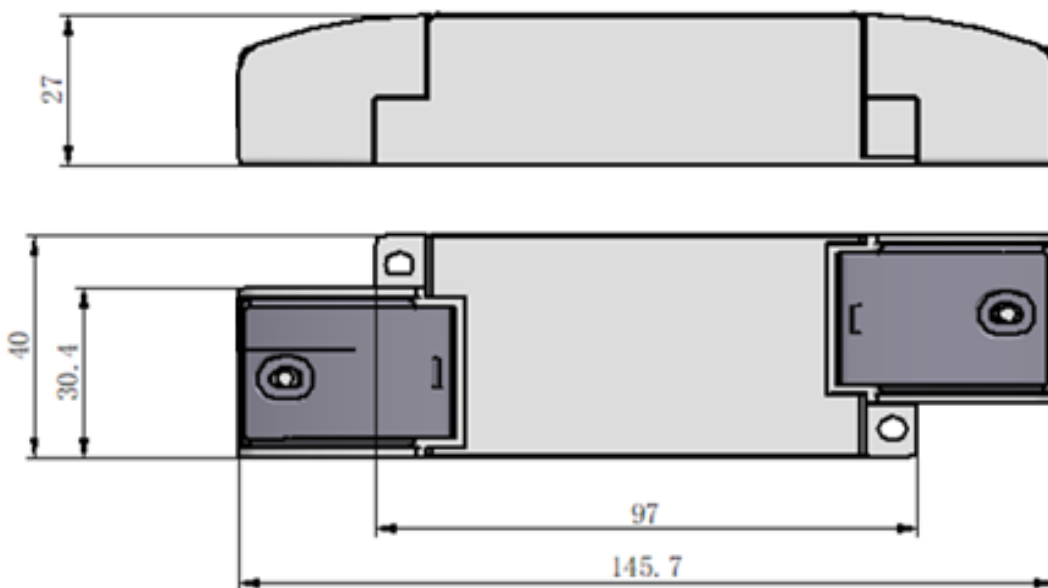
Drawing/Dimensions

Drawing

Build-in:



Independent:



NOTE: Three items use the same housing.



Product Information—Dimmer list

Dimmer List (for LVED PRO 12/220-240/300 CS PC)

Dimmer Brand	Dimmer Model	Dimmer Type	Dimmer Power	Dimming Range (%)			
				120mA, 25V	120mA, 42V	300mA, 25V	300mA, 42V
TCL-Legrand	V8051-M	L	630W	Flicker	0~96%	2~100%	1~100%
LUMEX	LOADSMART LT1D450LS	L	500W	0~96%	0~97%	0~100%	0~100%
Schneider- Clipsal	KB31RD400	L	400W	Flicker	0~96%	1~100%	0~100%
Clipsal	32E450UDM	T	450W	4~96%	0~97%	4~100%	2~100%
HPM	CAT400T HPM	T	400W	0~86%	0~86%	0~85%	0~85%
Trader	Dimpala	T	400W	0~96%	0~97%	0~100%	0~100%
Clipsal	32ELEDM	T	400W	0~96%	0~99%	0~100%	0~100%
Siemens	5UH8622- 3NC01	L	400W	Flicker	0~97%	3~100%	2~100%
Schneider- Electric	C460	L	400W	10~98%	4~100%	8~100%	8~100%
Clipsal	32E450LM	L	450W	0~100%	0~98%	0~100%	0~100%
Honyar	KT250	L	250W	0~99%	0~98%	1~100%	0~100%
Schneider- Electric	40600 RL	L	600W	Flicker	5~97%	10~100%	9~100%
Lutron	GXI-3104-T- CE-WH	T	2300W	0~95%	0~97%	0~100%	0~100%
HPM	CAT400L	L	400W	0~82%	0~82%	1~86%	1~89%
Panasonic	WMS549	L	400W	0~97%	0~97%	Flicker	Flicker
SAL	SDA450	T	450W	0~96%	0~99%	0~100%	0~100%
Schneider- Clipsal	E8431EPD4	L	350W	0~96%	0~99%	0~100%	0~100%
MK branded	K1541 WHI	T	500W	Flicker	0~62%	0~62%	0~64%
Veto	VT-500	T	500W	0~91%	0~96%	0~100%	0~100%
DIGINET (GERARD)	MMDM/PB	T	400W	0~96%	0~99%	0~100%	0~100%
Legrand	617030	L	600W	0~100%	Flicker	0~100%	0~100%

The compatibility test is based on testing conducted in a lab simulated environment, and the results can vary in certain field applications due to many factors. LEDVANCE does not take over any responsibility and warranty that this results can also be achieved by using the devices under other conditions.

LED driver contain several electronic components. Under unfavorable conditions these can lead to acoustic noise. In case of resonance even low noise can cause audible effect. And noise level is affected by dimmer.

The test is only based on four specified LED loading conditions at different current and voltage. It may have different result at other LED loading conditions.

Above test result is based on one dimmer with one driver, and in actual one dimmer is allowed to connect several drivers with total power less than 50% of dimmer rated power. But the performance may be different.

LEDVANCE APM EC

Data subject to change / V1

Oct. 2022



Product Information—Dimmer list

Dimmer List (for LVED PRO 20/220-240/500 CS PC)

Dimmer Brand	Dimmer Model	Dimmer Type	Dimmer Power	Dimming Range (%)			
				250mA, 25V	250mA, 42V	500mA, 25V	500mA, 42V
TCL-Legrand	V8051-M	L	630W	Flicker	Flicker	3~100%	3~100%
LUMEX	LOADSMART LT1D450LS	L	500W	0~96%	0~97%	0~100%	0~100%
Schneider-Clipsal	KB31RD400	L	400W	Flicker	0~100%	2~100%	2~100%
Clipsal	32E450UDM	T	450W	7~96%	3~97%	6~100%	5~100%
HPM	CAT400T HPM	T	400W	1~90%	0~90%	1~99%	0~94%
Trader	Dimpala	T	400W	0~96%	0~97%	0~100%	0~100%
Clipsal	32ELEDM	T	400W	1~96%	0~97%	0~100%	0~100%
Siemens	5UH8622-3NC01	L	400W	3~97%	1~96%	3~100%	4~100%
Schneider-Electric	C460	L	400W	8~100%	6~100%	10~100%	10~100%
Clipsal	32E450LM	L	450W	0~96%	0~96%	0~100%	0~100%
Honyar	KT250	L	250W	1~97%	Flicker	2~100%	2~100%
Schneider-Electric	40600 RL	L	600W	10~95%	8~95%	11~100%	12~100%
Lutron	GXI-3104-T-CE-WH	T	2300W	0~96%	0~98%	0~100%	0~100%
HPM	CAT400L	L	400W	2~87%	1~87%	3~93%	3~89%
Panasonic	WMS549	L	400W	Flicker	Flicker	1~100%	1~100%
SAL	SDA450	T	450W	Flicker	Flicker	2~100%	1~100%
Schneider-Clipsal	E8431EPD4	L	350W	0~97%	0~98%	0~100%	0~100%
MK branded	K1541 WHI	T	500W	Flicker	Flicker	3~68%	2~84%
Veto	VT-500	T	500W	0~90%	0~93%	1~100%	1~100%
DIGINET (GERARD)	MMDM/PB	T	400W	0~97%	0~98%	0~100%	0~100%
Legrand	617030	L	600W	Flicker	Flicker	Flicker	0~100%

The compatibility test is based on testing conducted in a lab simulated environment, and the results can vary in certain field applications due to many factors. LEDVANCE does not take over any responsibility and warranty that this results can also be achieved by using the devices under other conditions.

LED driver contain several electronic components. Under unfavorable conditions these can lead to acoustic noise. In case of resonance even low noise can cause audible effect. And noise level is affected by dimmer.

The test is only based on four specified LED loading conditions at different current and voltage. It may have different result at other LED loading conditions.

Above test result is based on one dimmer with one driver, and in actual one dimmer is allowed to connect several drivers with total power less than 50% of dimmer rated power. But the performance may be different.



Product Information—Dimmer list

Dimmer List (for LVED PRO 30/220-240/700 CS PC)

Dimmer Brand	Dimmer Model	Dimmer Type	Dimmer Power	Dimming Range (%)			
				450mA, 25V	450mA, 42V	700mA, 25V	700mA, 42V
TCL-Legrand	V8051-M	L	630W	Flicker	1~100%	2~100%	2~100%
LUMEX	LOADSMART LT1D450LS	L	500W	0~96%	0~96%	0~100%	0~100%
Schneider- Clipsal	KB31RD400	L	400W	Flicker	1~100%	2~100%	2~100%
Clipsal	32E450UDM	T	450W	5~96%	4~96%	6~100%	5~100%
HPM	CAT400T HPM	T	400W	2~90%	1~89%	1~97%	1~93%
Trader	Dimpala	T	400W	0~96%	0~96%	0~100%	0~100%
Clipsal	32ELEDM	T	400W	0~96%	0~95%	0~100%	0~100%
Siemens	5UH8622- 3NC01	L	400W	4~95%	3~94%	4~100%	4~100%
Schneider- Electric	C460	L	400W	8~100%	7~100%	7~100%	8~100%
Clipsal	32E450LM	L	450W	0~96%	0~96%	0~100%	0~100%
Honyar	KT250	L	250W	1~95%	1~95%	2~100%	2~100%
Schneider- Electric	40600 RL	L	600W	11~91%	9~94%	10~100%	10~100%
Lutron	GXI-3104-T- CE-WH	T	2300W	0~96%	0~95%	0~100%	0~100%
HPM	CAT400L	L	400W	3~89%	2~82%	4~84%	3~89%
Panasonic	WMS549	L	400W	0~95%	0~94%	1~100%	1~100%
SAL	SDA450	T	450W	2~96%	2~97%	2~100%	1~100%
Schneider- Clipsal	E8431EPD4	L	350W	0~96%	0~97%	0~100%	0~100%
MK branded	K1541 WHI	T	500W	3~63%	2~63%	3~70%	3~84%
Veto	VT-500	T	500W	Flicker	Flicker	2~100%	2~100%
DIGINET (GERARD)	MMDM/PB	T	400W	0~96%	0~97%	0~100%	0~100%
Legrand	617030	L	600W	Flicker	Flicker	1~100%	0~100%

The compatibility test is based on testing conducted in a lab simulated environment, and the results can vary in certain field applications due to many factors. LEDVANCE does not take over any responsibility and warranty that this results can also be achieved by using the devices under other conditions.

LED driver contain several electronic components. Under unfavorable conditions these can lead to acoustic noise. In case of resonance even low noise can cause audible effect. And noise level is affected by dimmer.

The test is only based on four specified LED loading conditions at different current and voltage. It may have different result at other LED loading conditions.

Above test result is based on one dimmer with one driver, and in actual one dimmer is allowed to connect several drivers with total power less than 50% of dimmer rated power. But the performance may be different.



Product Etching

LEDVANCE LVED PRO 12/220-240/300 CS PC
Constant Current LED Power Supply
(Phase cut dimmable)

ta: -20~50 °C Made in China ● tc: 75 °C

lout(mA)	120	150	180	220	250	300
PIN1	OFF	ON	OFF	ON	OFF	ON
PIN2	OFF	OFF	OFF	OFF	ON	ON
PIN3	OFF	OFF	ON	ON	ON	ON
PRI	220-240VAC 50/60Hz; PF>0.95					
SEC	25-42VDC; MAX.12.6W; Uout:60V					

0.75...1.5°

OFF ↔ ON

1 2 3

SEC 0.5...1.5°

CE, Home, SELV, RoHS, 110, SELV, RoHS, ~~RoHS~~

LEDVANCE LVED PRO 20/220-240/500 CS PC
Constant Current LED Power Supply
(Phase cut dimmable)

ta: -20~50 °C Made in China ● tc: 75 °C

lout(mA)	250	300	350	400	450	500
PIN1	OFF	OFF	OFF	ON	OFF	ON
PIN2	OFF	OFF	ON	ON	ON	ON
PIN3	OFF	ON	OFF	OFF	ON	ON
PRI	220-240VAC 50/60Hz; PF>0.95					
SEC	25-42VDC; MAX.21W; Uout:60V					

0.75...1.5°

OFF ↔ ON

1 2 3

SEC 0.5...1.5°

CE, Home, SELV, RoHS, 110, SELV, RoHS, ~~RoHS~~

LEDVANCE LVED PRO 30/220-240/700 CS PC
Constant Current LED Power Supply
(Phase cut dimmable)

ta: -20~50 °C Made in China ● tc: 80 °C

lout(mA)	450	500	550	600	650	700
PIN1	OFF	OFF	OFF	ON	OFF	ON
PIN2	OFF	OFF	ON	ON	ON	ON
PIN3	OFF	ON	OFF	OFF	ON	ON
PRI	220-240VAC 50/60Hz; PF>0.95					
SEC	25-42VDC; MAX.29.4W; Uout:60V					

0.75...1.5°

OFF ↔ ON

1 2 3

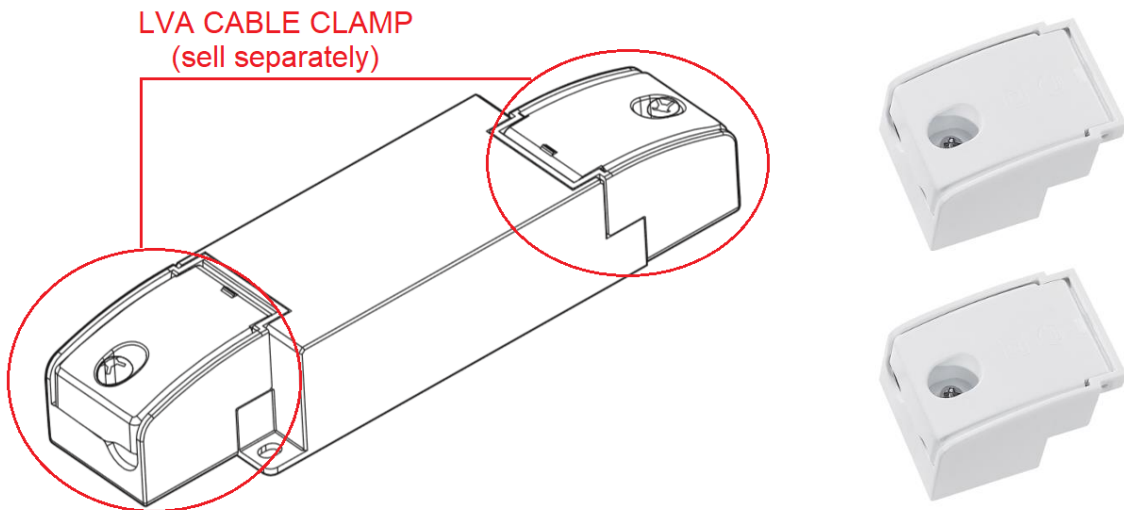
SEC 0.5...1.5°

CE, Home, SELV, RoHS, 110, SELV, RoHS, ~~RoHS~~



Ordering Information

Description	Model number	Shipping quantity	EAN-10	EAN-40
LVED PRO 12/220-240/300 CS PCVS40G2LEDV	LVED VAL 8/220-240/150 G3	40	4099854013126	4099854013133
LVED PRO 20/220-240/500 CS PCVS40G2LEDV	LVED VAL 8.5/220-240/200 G3	40	4099854013140	4099854013157
LVED PRO 30/220-240/700 CS PCVS40G2LEDV	LVED VAL 10/220-240/250 G3	40	4099854013201	4099854013218
LVA CABLE CLAMP VS40 G2 EN LEDV	----	40 sets	----	4058075550551



Note: One IC code of "LVA CABLE CLAMP" include 1set(2pcs) cable clamp accessory.