

**Walldim105E1**(Product No.: 400500001101)

**Product Features**

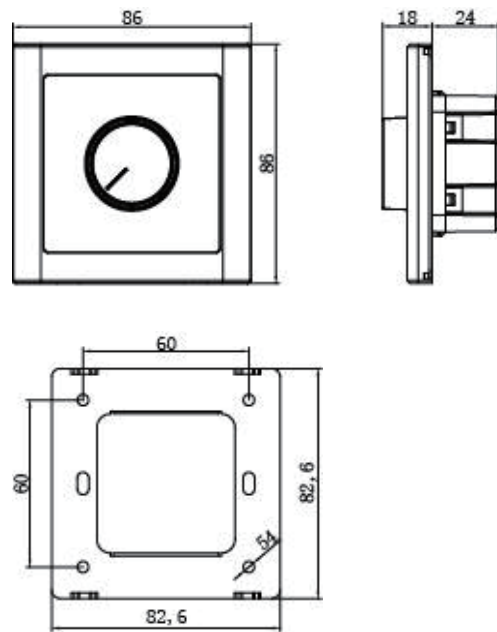
- Support leading edge dimming
- Suitable for TRIAC dimming driver, incandescent lamps, halogen lamps and other loads
- ABS material, high flame retardant
- Fashion, and easy to use
- Used in the study, bedroom, restaurant, bars and other places need dimming control
- Suitable for installation in European and domestic electrical boxes



**Technical Parameters**

Model	Walldim105E1
Input voltage	220-240VAC
Input frequency	50/60Hz
Load type	Incandescent lamps:500W
	Halogen lamps: 500W
	Dimmable LED: 300W
	TRIAC dimming driver: 300W
Panel color	Ivory-white
Panel size	86*86*44mm(W*H*D)
Packing size	104*104*52mm(W*H*D)
G.W.	140g
Working temp.	-10~55°C
Relative humidity	20-90% RH

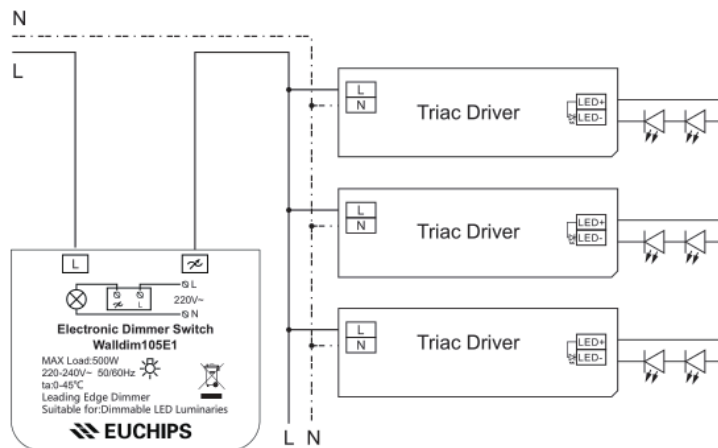
**Dimension(mm)**



**Function Description**

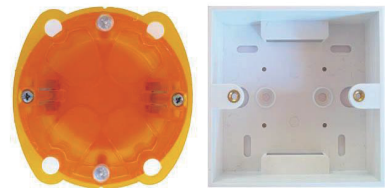
Turn the knob clockwise , after hear the 'click' sound , the knob signal is turned on, continue to adjust the knob ,the brightness of light varies from minimum to maximum. Turn the knob by counter- clockwise, the brightness of light varies from maximum to minimum ,continue to adjust the knob , after hear the 'click' sound , the knob signal is closed.

**Wiring Diagram**

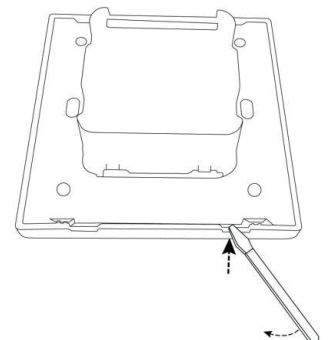


**Installation Guide**

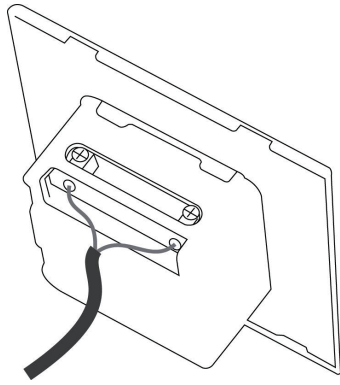
1. Mount an electrical box inside the wall



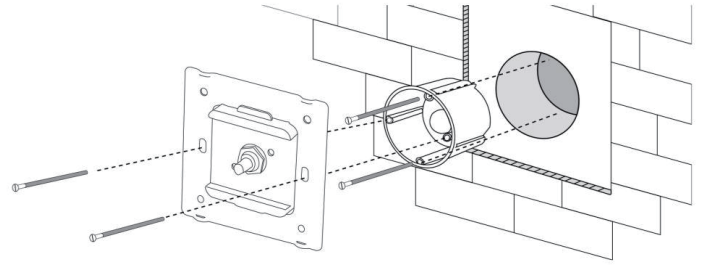
2. To separate the panel and the back cover of the controller with a screwdriver along the gap of the back cover.



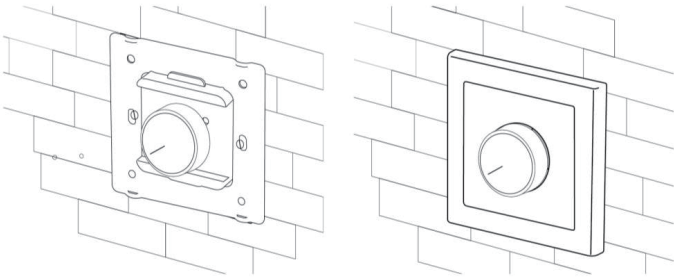
3. Connect the wires according to the "Wiring Diagram"



4. To put the back cover on the electrical box and fix it with the screw.



5. To buckle the glass panel to the bottom box.



#### Caution

1. Connect the load wire at first, then connect the power wire; Please ensure short circuit can not occur between wires before you turn on the power.
2. Please check the input voltage and frequency range, it may burn out the dimmer once exceed the voltage or frequency range.