

EUP40D-1H24V-0 (Product No.:102200070101)

Summary

EUP40D-1H24V-0 is a constant voltage mode output LED driver. This driver complies with DALI standard protocol IEC 62386, and provides multiple dimming function (DALI, Touch DIM) to achieve a smooth dimming effect.



Product Features

- Single channel constant voltage output
- Support a variety of dimming mode (DALI/Touch DIM)
- High range of input voltage 220VAC ~ 240VAC
- Built-in active PFC function
- Dimming effect smooth, no flicker
- Over load protection; Short circuit protection; Over temperature protection
- Suitable for indoor LED lighting application, such as LED strips, spot light, wall washer, and so on

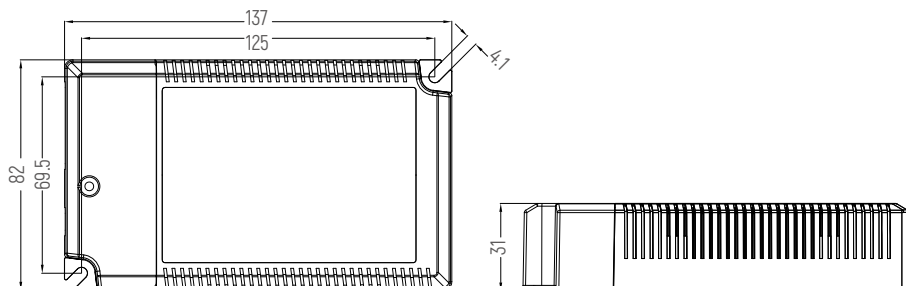
Application



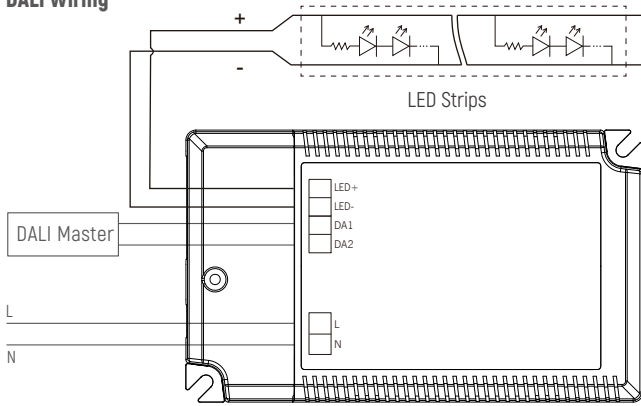
Technical Parameters

Model	EUP40D-1H24V-0	
Input	Efficiency	>88%@230VAC, Full load
	Voltage	220VAC-240VAC
	Frequency Range(Hz)	50/60Hz
	Power Factor	≥0.95@115VAC, Full load
	THD(full load)	<10%@230VAC, Full load
	AC Current(max)	0.23Amax@230VAC
	Inrush Current(max)	Cold start, 30A(twidth=650us measured at 50% Ipeak) @230VAC
Output	Current(A)/Voltage (VDC) Power(W)	1.7A/24VDC/40W
	R & N (Max)	400mVp-p
	Channel	1
	Current Tolerance	±3%
	Turn on delay Time	<1.5s, at 230Vac (When the light begins to shine)
Function	Dimming Type	DALI Dimming / Touch-dim
	Dimming Range	1%-100% Dimming to off
Protection	Over temperature	Shut down and auto-restart after normal temperature
	Over load	Hiccup, recovers after fault condition is removed
	Short Circuit	after fault removed Close output, the output current recovers automatically
Safety & EMC	Surge	L-N:1KV
	Withstand Voltage	I/P-O/P: 3000VAC/1min/5mA
	DALI Standard	IEC 62386-101: 2014, IEC 62386-102: 2014; IEC 62386-207: 2009, DALI 1.0
	Safety Standards	EN61347, GB19510
	EMC Emission	EN50515, EN61000-3-2
	EMC Immunity	EN61000-4-2, 3, 4, 5, 6, 8, 11; EN61547
Others	Working Temp.	-20°C~50°C
	Storage Temp., Humidity	-40°C~85°C, 20-90%RH
	tc	90°C
	Material	PC
	IP Rating	IP20
	Lifetime	30,000h@tc:80°C
	Warranty Condition	3 years
	Switch Cycle	>15,000 times
	Packing(weight)	Net weight: 225g±5%/PCS; 50PCS/Carton; 11.75kg±5%/Carton; Carton Size: 517*337*179mm(L*W*H)
	Dimension	137*82*31mm (L*W*H)

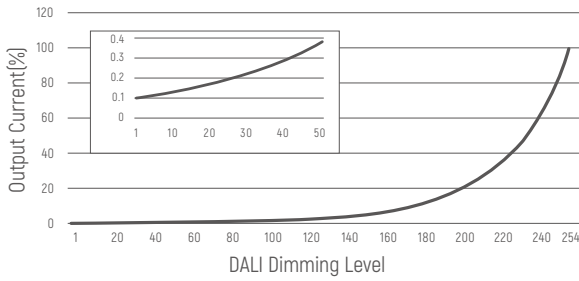
Dimension(mm)



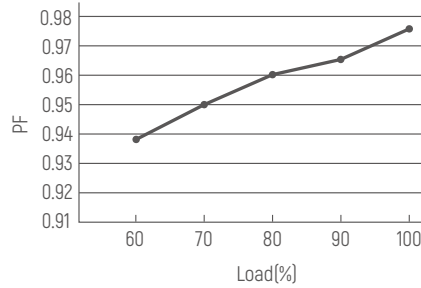
DALI Wiring



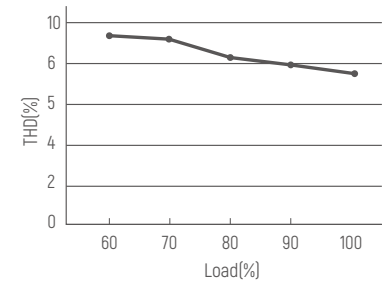
Dimming Curve



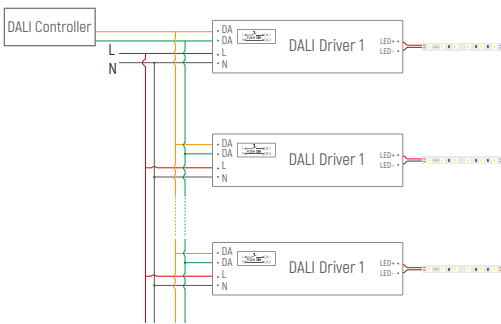
PF vs load



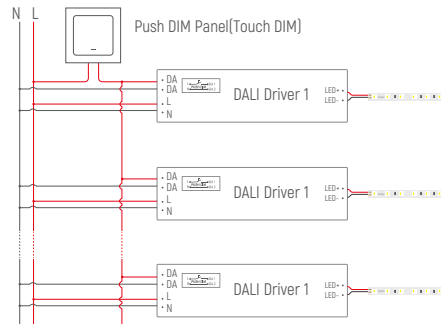
THD vs Load



DALI Diagram



Push DIM(Touch DIM) Diagram



Remark: Only use open push button without indicator light. Maximum cable length between each Unit: 20 meters.

Push DIM Function

1. Press the Push DIM (Touch DIM) switch for 8s or more, the driver can be controlled via Push DIM switch.
2. Short press the Push DIM (Touch DIM) switch (<0.5s) to control the lamp on or off.
3. Long press the Push DIM (Touch DIM) switch (>0.5s) to dim the brightness of light. The dimming direction will change every time after pressing switch.
4. Double-click the Push DIM (Touch DIM) switch (<0.3s), then all lamps connected on the device will be set maximum brightness.
5. The brightness adjustment range is 1%-100%, and the light can be turned off through short pressing when doing the adjustment with long pressing Push DIM (Touch DIM) switch.
6. With the Power off memory function, the power-down state will be recovered when power on again.

Cautions

1. The product shall be installed and serviced by a qualified person.
2. This product is non-waterproof. Please avoid the sun and rain. When installed outdoors please ensure it is mounted in a water proof enclosure.
3. Good heat dissipation will prolong the working life of the controller. Please ensure good ventilation.
4. Please check if the output voltage and current of any LED power supplies used comply with the requirement of the product.
5. Please ensure that adequate sized cable is used from the controller to the LED lights to carry the current. Please also ensure that the cable is secured tightly in the connector.
6. For safety consideration, PVC or rubber cord of 0.75-1.5mm is recommended for input and output terminal(s) (excluding signal terminals). Flat power cord is not suitable. Ensure all wire connections and polarities are correct before applying power to avoid any damages to the LED lights.
7. If a fault occurs please return the product to your supplier. Do not attempt to fix this product by yourself.

※ The contents of this manual are updated without prior notice. If the function of the product you are using is inconsistent with the instructions, the function of the product shall prevail. Please contact us if you have any questions.