

## EUP40T-1W24V-0(Product No.: 104200111201)

### Product Feature

- Single-channel constant voltage output,24VDC
- Support Leading edge (Triac) and Trailing edge (ELV) Dimmer
- Dimming range from 40VAC to 240V AC
- High efficiency of 87%
- Dimming effect smooth, no flicker
- Short Circuit protection; Over load protection
- Suitable for indoor LED lighting application



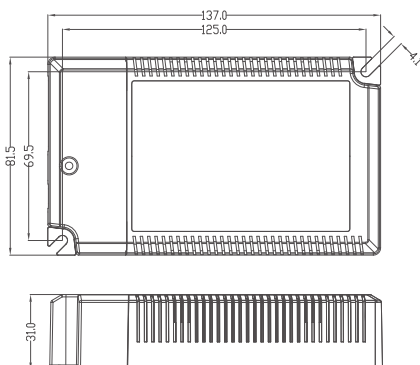
### Application



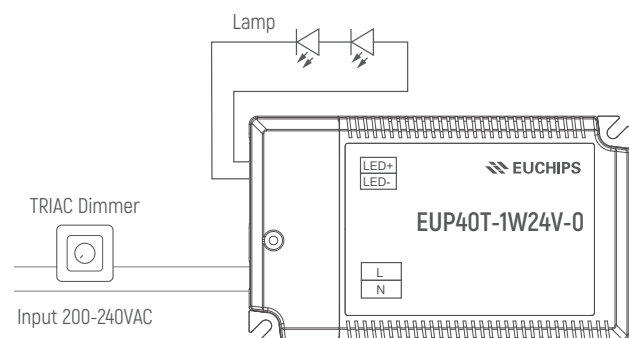
### Technical Parameters

Model	EUP40T-1W24V-0	
Input	Efficiency	87%@230VAC, Full load
	Voltage	200VAC-240VAC
	Frequency	50/60Hz
	Current	0.5Amax@230VAC, Full load
	Dimming voltage range	40-240VAC
	Inrush Current	Cold start 45A(twidth=13.6us measured at 50% Ipeak )@230VAC
Output	Current/Voltage/Power	1.6A/24VDC/38.4W
	R & N (Max)	240mVp-p
	Channel	1
	Voltage Tolerance	±3%
Function	Dimming Mode	Triac <span style="float: right;">ELV</span>
Protection	Short Circuit	Close the output, restart to recover since fault condition is removed for 10s
	Over Current	Hiccup mode, recovers after fault condition is removed
Others	Working Temp.	-20°C~40°C
	Storage Temp.; Humidity	-40°C~85°C, 20-90%RH
	Tc	75°C
	Material	PC
	IP Rating	IP20
	Lifetime	30,000h@tc:75°C
	Warranty Condition	3 years
	Switch Cycle	>15,000 times
	Packing Size	Net weight: 210g±5%/PCS; 50PCS/Carton; 11kg±5%/Carton; Carton Size: 516*337*179cm(L*W*H)
	Dimension	137*82*31mm(L*W*H)

### Dimension(mm)



### Wiring Diagram



※ The contents of this manual are updated without prior notice. If the function of the product you are using is inconsistent with the instructions, the function of the product shall prevail. Please contact us if you have any questions.