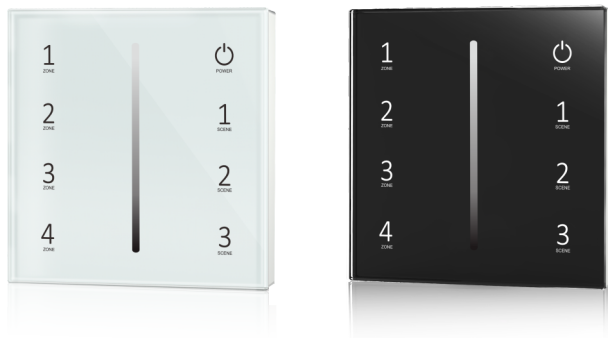


## 4 Channel 0-10V Touch Glass Panel Dimmer

- Touch panel 0-10V dimmer, output 4 channel 0-10V signal.
- Output connect with 0/1-10V dimmable driver.
- Ultra sensitive high strength glass touch panel with touch slide in the middle.
- Compatibility with RF 2.4G 4 zone dimming remote control.
- Touch keys with LED indicator.
- White & Black glass panel available.

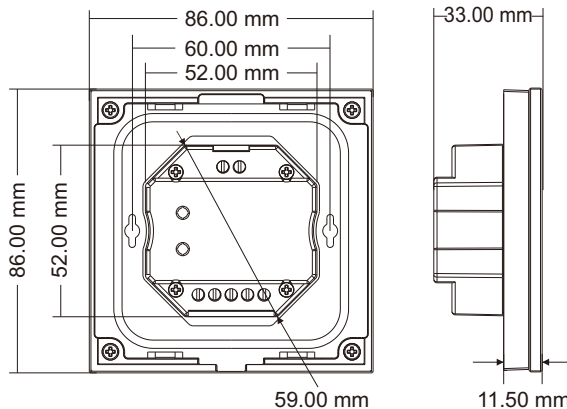
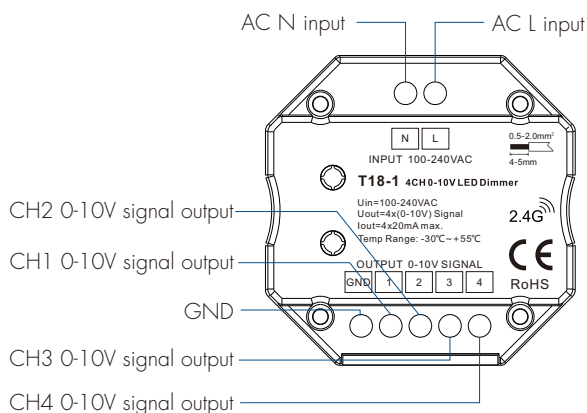


CE RoHS emc LVD

### Technical Parameters

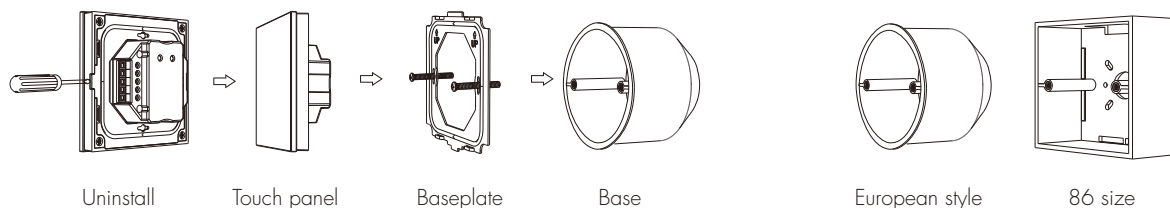
Input and Output		Dimming data		Safety and EMC	
Input voltage	AC100-240V	Input signal	Touch key + RF 2.4GHz	EMC standard (EMC)	ETSI EN 301 489-1 V2.2.3
Output signal	0-10V (20mA)	RF control distance	10m(Barrier-free space)	Safety standard(LVD)	ETSI EN 301 489-17 V3.2.4
Output current	20mA/CH	Dimming level	256 levels	Radio Equipment(REDC)	EN 62368-1:2020+A11:2020
<b>Environment</b>		Dimming range	0-100%	Certification	CE,EMC,LVD,RED
Operation temperature	Ta: -30°C ~ +55°C	<b>Package</b>		<b>Warranty</b>	
Case temperature (Max.)	Tc: +65°C	Size	L112 x W112 x H50mm	Warranty	5 years
IP rating	IP20	Gross weight	0.231kg		

### Mechanical Structures and Installations

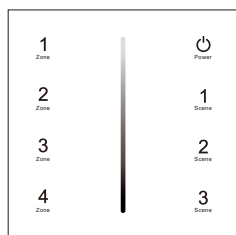


Installation diagram:

Typical base as below:

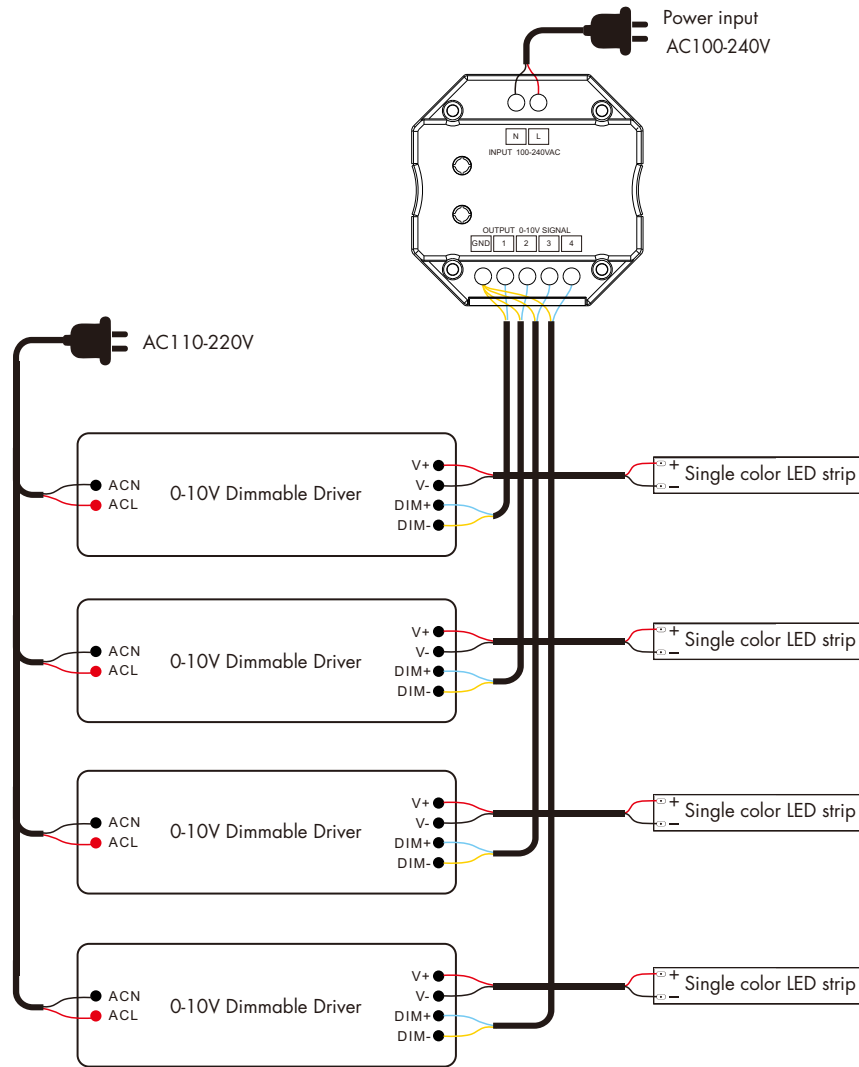


### Key function



- Power — Turn on/off all zone light.
- Brightness slide.
- 1 2 3 — Short press recall scene. Long press 2s to save the current state into 1/2/3.
- 1 2 3 4 — Short press turn on zone light and select zone simultaneously, long press 2s turn off zone light. 4 zone control separately or synchronously, each zone could control multiple receivers.

**Note:** The default output is 0-10V.  
 Touch power key to turn off light, then long press power key for 15s immediately, the output will become 1-10V.  
 Touch power key to turn off light, then long press power key for 10s immediately, the output will return 0-10V.



**Note:** We recommend the number of LED drivers connected to 0/1-10V dimmer (each channel) does not exceed 20 pieces, The maximum length of the wires from dimmer to LED driver should be no more than 30 meters.

### Match Remote Control (two match ways)

The 0-10V touch panel dimmer can also match with the RF 4 zone dimming remote (optional). End user can choose the suitable match/delete ways. Two options are offered for selection:

#### Use Power key

**Match:**  
Turn on light, turn off, immediately press the power key of the panel for 5s, then press any zone key of the RF remote within 5s. The LED indicator fast flash 3 times means match is successful.

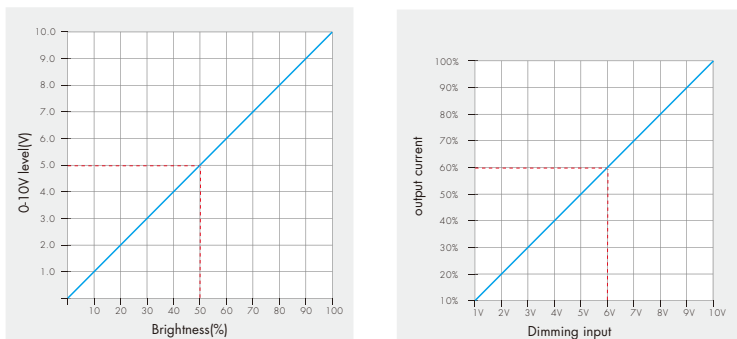
**Delete:**  
Turn on light, turn off, immediately press the power key of the panel for 10s to delete all match, The LED indicator fast flash 6 times means all matched remotes were deleted.

#### Use Power Restart

**Match:**  
Switch off the power, then switch on power, repeat again, Immediately short press any zone key 3 times on the remote. The light blinks 3 times means match is successful.

**Delete:**  
Switch off the power, then switch on power, repeat again, Immediately short press any zone key 5 times on the remote. The light blinks 5 times means all matched remotes were deleted.

### Dimming curve



**Note:**  
When the output channel is off, the output dimming signal is 0V. Please read the dimming section of the 0/1-10V dimming driver manual. If the dimming characteristic curve is the same as below, it will not be able to turn off the lights, you need select other models of 1-10V dimmer which have AC OUT function.